

# MBA KOBISHI 24VDC MOTOR DRIVEN FIRE ALARM BELL

INDOOR/OUTDOOR WALL MOUNT ONLY ALUMINUM GONG

SIGNALING



Fire Alarm Equipment  
Audible Signal Appliance

- ✓ Can be used at outdoor, IP34 with backbox BBX-4.
- ✓ Low current consumption with large sound output.
- ✓ Light weight save logistic cost with easy handling.

**You choose the genuine bell!**



## MBA-6-24

24DC : 13.5mA  
24FWR : 24.5mA  
75.6dBA@10ft/UL464  
Typical : 87dB



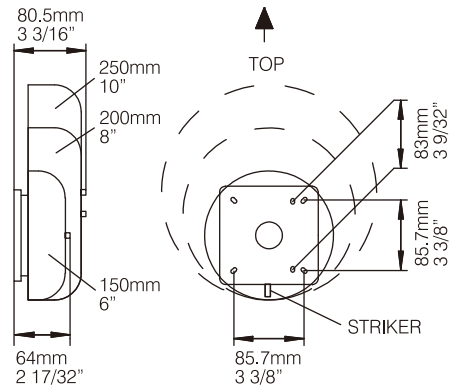
## MBA-8-24

24DC : 40.0mA  
24FWR : 44.0mA  
77.2dBA@10ft/UL464  
Typical:87dB

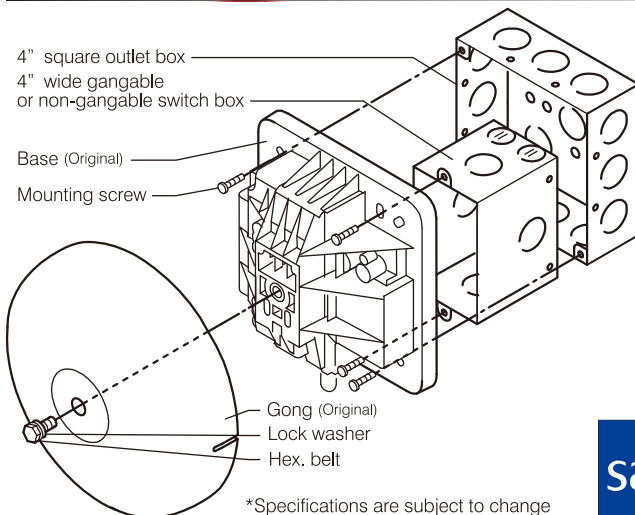


## MBA-10-24

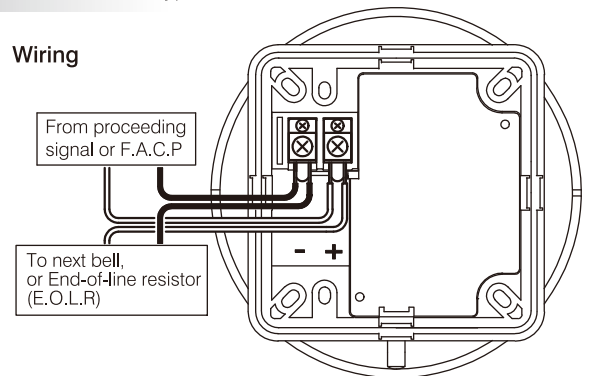
24DC : 34.0mA  
24FWR : 46.0mA  
79.1dBA@10ft/UL464  
Typical:91dB



Holes are located to mount to a standard 4" square outlet box, or 2" wide gangable or non-gangable switch box.



### Wiring



\*Specifications are subject to change without notice. No.MBAad\_S090915



## SAXA Precision, Inc.

1805-1 KAMIYA, KOUNOSU-SHI, SAITAMA-KEN, JAPAN 365-0027  
INTERNATIONAL SALES DEPARTMENT  
PHONE : 81-48-543-4767 FAX : 81-48-543-4776